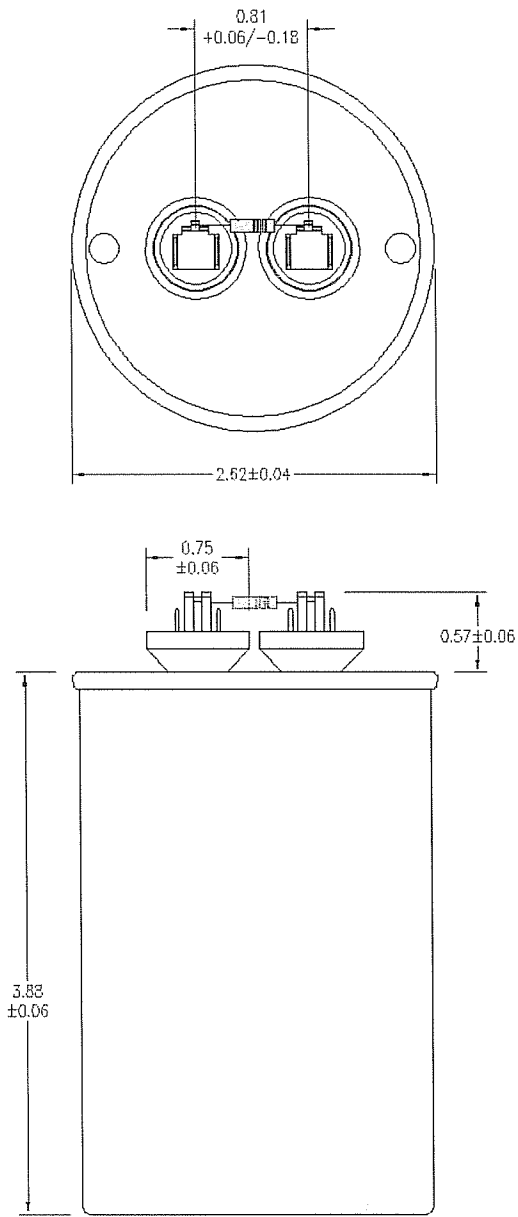


REVISION



GE GEM III Capacitors are manufactured with high-grade metallized polypropylene film.

Capacitance: 39.87µF ±4%  
 Volts: 480 A/C  
 Frequency: 50/60 Hz  
 Operating Temperature: 70°C  
 Operative Life: 60,000 Hrs. with 94% survival  
 Case Material: Unpainted Aluminum  
 Cover Material: Terne Plate Steel  
 Terminals: Fork Terminal  
 Dielectric Fluid: Dielektrol VI  
 Internal Protection: UL Recognized Pressure Sensitive Interrupter  
 Resistor: 0.35 M ohms 3 watts  
 KVARs: 3.323

DRAWINGS ARE AT FULL (1:1) SCALE IN AUTO CAD FILES

CTO		UNLESS OTHERWISE SPECIFIED		<b>GE Capacitors</b> <b>PRODUCT ENGINEERING</b>	
Ⓢ PROCESS Ⓢ ENGINEERING Ⓢ APPLICATION Ⓢ REGULATION		DIMENSION IN INCHES TOLERANCES: X = +/- 0.20 XX = +/- 0.10 XXX = +/- 0.05 ANGLES = +/- 1 DEG.		<b>OUTLINE DRAWING</b>	
MATL CODE	DATE DRAWN	APPD ENG.	SCALE	SIZE	CLASS
	2/12/04		NONE	A	
				DWG NO	97F8237RR